



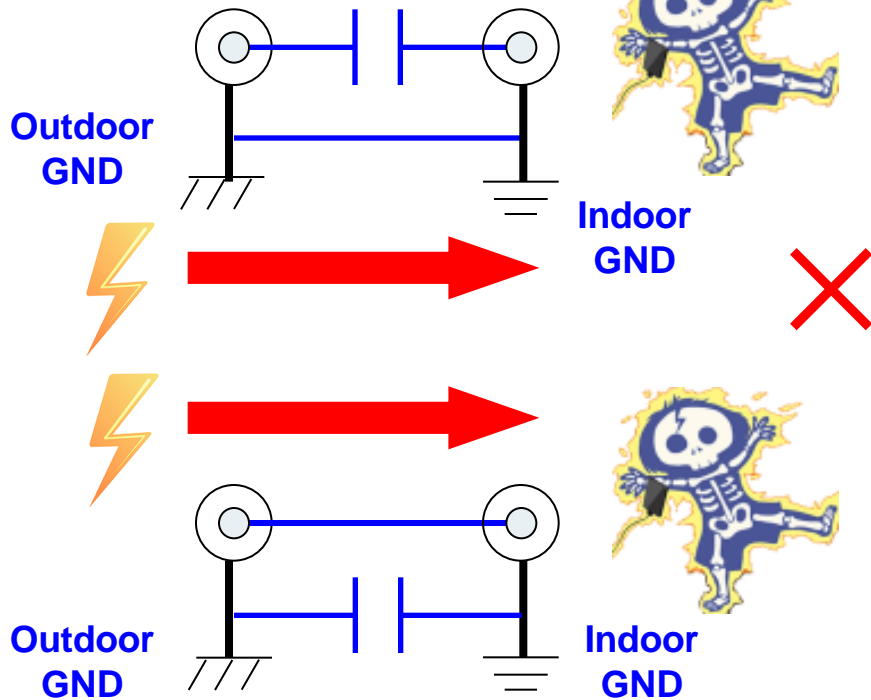
# ***ISOLATORS***

*Soontai provides state-of-the-art Isolators. We care your safety!*

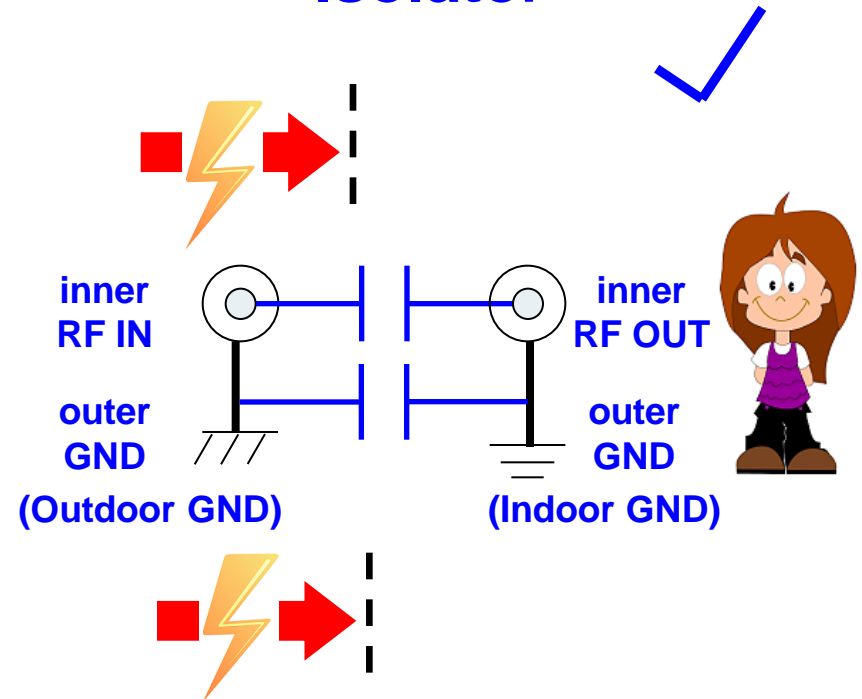
# What is isolator ?

- Isolator has two sets capacitors between inner IN/OUT RF-port and outer IN/OUT GND-ports.
- Isolator fully isolates the voltage to avoid of electric shock and damaging the equipment such as TV, set-top box, cable modem.

## Non isolator



## Isolator



### IS9 series



#### ■ Features

- ✓ RF Shielding : meet EN50083-2
- ✓ Suitable for DOCSIS 4.0, 3.1, 3.0
- ✓ Wideband : 1218 MHz, 1.5 GHz, 2.0 GHz
- ✓ Low Insertion Loss : 0.5 dB (typ)
- ✓ Excellent Return Loss : 18 dB (typ)
- ✓ Withstanding IEEE C62.41 Category A3 Surge 1 kV
- ✓ Galvanic Isolation : < 0.7 mA (@ 2120 VDC)
- ✓ Leakage Current : < 2 mA (@ 230 VAC)
- ✓ 100% QC & HI-POT test
- ✓ Dimension : 16.5 (ψ) × 62.5 (L) mm
- ✓ Made in Taiwan

### IS7 series



#### ■ Features

- ✓ Suitable for DOCSIS 4.0, 3.1, 3.0
- ✓ Wideband : 1218 MHz, 1.8 GHz, 2.0 GHz
- ✓ Low Insertion Loss : 0.5 dB (typ)
- ✓ Excellent Return Loss : 18 dB (typ)
- ✓ Galvanic Isolation : < 0.7 mA (@ 2120 VDC)
- ✓ Leakage Current : < 2 mA (@ 230 VAC)
- ✓ 100% QC & HI-POT test
- ✓ Dimension : 18 (ψ) × 57.6 (L) mm
- ✓ Made in Taiwan

Model	Frequency Range	IN Connector	OUT Connector	Screening
IS9 - 212	<b>1218 MHz</b>	F-female	F-male	Class A
IS9 - 212F	<b>1218 MHz</b>	F-female	F-female	
IS9 - 218	<b>1.8 GHz</b>	F-female	F-male	
IS9 - 218F	<b>1.8 GHz</b>	F-female	F-female	

Model	Frequency Range	IN Connector	OUT Connector	Screening
IS7 - 212	<b>1218 MHz</b>	F-female	F-male	N.A.
IS7 - 212F	<b>1218 MHz</b>	F-female	F-female	
IS7 - 220	<b>2.0 GHz</b>	F-female	F-male	
IS7 - 220F	<b>2.0 GHz</b>	F-female	F-female	

### IS9 SG-2 series



#### ■ Features

- ✓ RF Shielding : meet EN50083-2
- ✓ Suitable for DOCSIS 4.0, 3.1, 3.0
- ✓ Wideband : 1218 MHz, 1.5 GHz, 1.8 GHz
- ✓ Low Insertion Loss : 0.5 dB (typ)
- ✓ Excellent Return Loss : 18 dB (typ)
- ✓ Withstanding IEEE C62.41 Category B3 Surge 6 kV
- ✓ Galvanic Isolation : < 0.7 mA (@ 2120 VDC)
- ✓ Leakage Current : < 2 mA (@ 230 VAC)
- ✓ 100% QC & HI-POT test
- ✓ Dimension : 16.5 (ψ) × 62.5 (L) mm
- ✓ Made in Taiwan

### IS7 SG-2 series



#### ■ Features

- ✓ Suitable for DOCSIS 4.0, 3.1, 3.0
- ✓ Wideband : 1218 MHz, 1.5 GHz, 1.8 GHz
- ✓ Low Insertion Loss : 0.5 dB (typ)
- ✓ Excellent Return Loss : 18 dB (typ)
- ✓ Withstanding IEEE C62.41 Category B3 Surge 6 kV
- ✓ Galvanic Isolation : < 0.7 mA (@ 2120 VDC)
- ✓ Leakage Current : < 2 mA (@ 230 VAC)
- ✓ 100% QC & HI-POT test
- ✓ Dimension : 18 (ψ) × 57.6 (L) mm
- ✓ Made in Taiwan

Model	Frequency Range	IN Connector	OUT Connector	Screening
IS9-212SG-2	1218 MHz	F-female	F-male	Class A
IS9-212FSG-2	1218 MHz	F-female	F-female	
IS9-218SG-2	1.8 GHz	F-female	F-male	
IS9-218FSG-2	1.8 GHz	F-female	F-female	

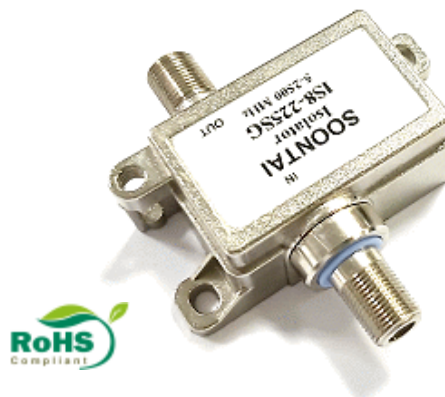
Model	Frequency Range	IN Connector	OUT Connector	Screening
IS7-212SG-2	1218 MHz	F-female	F-male	N.A.
IS7-212FSG-2	1218 MHz	F-female	F-female	
IS7-218SG-2	1.8 GHz	F-female	F-male	
IS7-218FSG-2	1.8 GHz	F-female	F-female	

# 2.5 GHz ISOLATORS

## Super Wideband

### ■ Features

- ✓ RF Shielding : meet EN50083-2
- ✓ Suitable for DOCSIS 4.0, 3.1, 3.0
- ✓ Super Wideband : 2.5 GHz
- ✓ Low Insertion Loss (typ) : 0.5 dB (typ)
- ✓ Excellent Return Loss : 16 dB (typ)
- ✓ Isolation : >20 dB (typ)
- ✓ Withstanding IEEE C62.41 Category A3 Surge 6 kV
- ✓ Galvanic Isolation : < 0.7 mA (@ 2120 VDC)
- ✓ Leakage Current : < 2 mA (@ 230 VAC)
- ✓ 100% QC & HI-POT test
- ✓ Dimension : 64 (L) x 62 (W) x 21 (H) mm
- ✓ Made in Taiwan



Model	Bandwidth	DC 2.12 kV	A3 6 kV SG	Screening
IS8 - 225	5 – 2.5 GHz	✓	Category A3	Class A
IS8 – 225SG	5 – 2.5 GHz	✓	Category B3, A3	Class A



# Isolator with add-on extras

- Soontai IS8 isolator build in 2 way splitter and high pass filter on TV port.
- Cost-efficient option for installing cable modem and TV reception simultaneously.

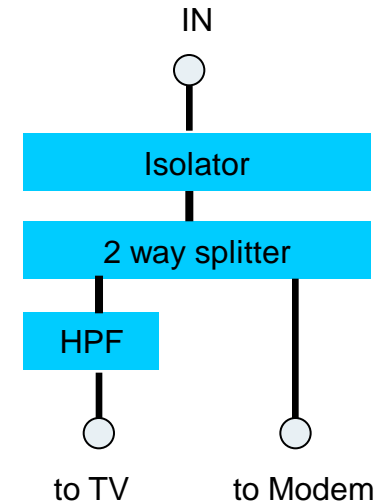
## ■ Features

- ✓ RF Shielding : meet EN50083-2
- ✓ Suitable for DOCSIS 4.0, 3.1, 3.0
- ✓ Wideband : 1218 MHz, 1.8 GHz
- ✓ Low Insertion Loss (typ) : 5.0 dB (data port) / 6.0 dB (tv port)
- ✓ Excellent Return Loss : 16 dB (typ)
- ✓ Isolation : >20 dB (typ)
- ✓ Withstanding IEEE C62.41 Category B3 Surge 1 kV
- ✓ Galvanic Isolation : < 0.7 mA (@ 2120 VDC)
- ✓ Leakage Current : < 2 mA (@ 230 VAC)
- ✓ 100% QC & HI-POT test
- ✓ Dimension : 64 (L) × 62 (W) × 21 (H) mm
- ✓ Made in Taiwan



SOONTAI TECH CO., LTD.

Model	Data Port	TV Port
IS8 - 8501	5 - 1218 MHz	85 - 1218 MHz
IS8 - 10801	5 - 1218 MHz	108 - 1218 MHz
IS8 - 11001	5 - 1218 MHz	110 - 1218 MHz
IS8 - 25801	5 - 1218 MHz	258 - 1218 MHz



Block Diagram



# SOONTAI TECH CO., LTD.

## Contact Us

Europe, Middle East & Africa Ms. Vicky Chen [vicky.chen@soontai.com](mailto:vicky.chen@soontai.com)

Americas, Asia-Pacific Ms. Stephanie Wang [stephanie.wang@soontai.com](mailto:stephanie.wang@soontai.com)

China, Taiwan Ms. Stephanie Wang [stephanie.wang@soontai.com](mailto:stephanie.wang@soontai.com)

### SOONTAI TECH CO., LTD.

No.43, Huangong Rd., Yongkang Dist., Tainan City 710, Taiwan.

TEL: 886-6-2016969 FAX: 886-6-2013939

<http://www.soontai.com>



SGS ISO 9001  
Certificate TW12/11128

## About Soontai

Soontai, established in 1994, has become well-known for high quality 75 Ohm filter design and manufacturing. We have taken this extensive design experience to develop a line of 75 and 50 Ohm high performance RF accessories. Currently our products are used worldwide by MSOs (Multi Service Operators), IC design companies, Internet service providers, RF telecommunication /Set-top Box/Cable modem manufacturers, etc.

For more products information please visit

CATV Filters <http://www.soontai.com/filter.htm>

Isolators <http://www.soontai.com/isolators.htm>

**High Performance RF Components** – 50 Ohm / 75 Ohm  
Cal kits, Cable Assemblies, Adapters, Attenuators,...

<http://www.soontai.com/hp-acs.htm>



Over 20 year's experience, More than 10,000 kinds of filters